

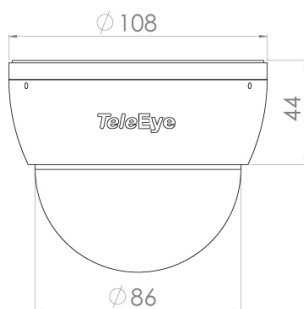


Features

- HD 1080p fixed dome
- 1/2.8" Sony Exmor CMOS sensor, 30fps
- HD SMAC-M and H.264 dual compression
- 4 independent video streams
- ONVIF conformance
- Hacker resistant
- Built-in micro SD/SDHC/SDXC slot
- f=4.2mm fixed iris lens
- 0.1 Lux @ F1.0
- Power over ethernet, PoE

Dimensions

Unit: mm



Specifications

MODEL		MX110E-HD
VIDEO	IMAGE SENSOR	1/2.8" Sony Exmor CMOS sensor
	RESOLUTION	1920 x 1080 (1080p) / 1280 x 720 (720p)
	FRAME RATE	Up to 30 fps (1080p) / 30fps (720p)
	MINIMUM ILLUMINATION	0.1 Lux @ f/1.0
	LENS	f=4.2mm fixed iris lens
	VIEW ANGLE (HORIZONTAL)	77°
	VIDEO SETTINGS	Brightness/contrast/saturation, mirroring, exposure, white balance, flickerless control, iris control, sharpness, WDR, sens-up
CONNECTIVITY	NETWORK INTERFACE	RJ-45, 10/100 base-T Ethernet (auto-sensing)
	NETWORK PROTOCOL	HTTP, uPnP, DHCP, NTP
	DYNAMIC IP	sureLINK, DDNS
	VIDEO STREAM RESOLUTION	1920x1080, 1280x720, 960x540, 640x360, 480x270, 320x180
	CONCURRENT USERS	6 (independent)
	SECURITY	Multiple access levels with password protection
	HACKER RESISTANT	Five layers anti-hacking protection
	WEB SERVER	Built-in
SYSTEM COMPATIBILITY	ONVIF Profile S	
VIDEO COMPRESSION	COMPRESSION	HD SMAC-M / H.264
	VIDEO STREAMING	4 independent streams for recording, LAN, broadband and mobile
INTERNAL RECORDING	ON-BOARD STORAGE	Built-in micro SD/SDHC/SDXC slot
EVENT HANDLING	EVENT	External alarm, motion detection, video loss
	ACTION	Dial back, alarm image recording at -3, 0, 3 seconds, email with JPEG attachment
	EXTERNAL ALARM INPUT	1 x NC/NO
POWER	POWER IN	12V DC / PoE (IEEE 802.3af)
	MAX. RATING	7.4W (max)
OPERATING ENVIRONMENT	AMBIENT TEMPERATURE	-25°C - 50°C
	RELATIVE HUMIDITY	< 85% (no condensation)
MECHANICAL DESIGN	NET WEIGHT	0.4kg

www.TeleEye.com

TeleEye Group

Hong Kong Bangladesh China Malaysia
Philippines South Africa Sri Lanka Turkey U.K.

DISTRIBUTED BY: