

- 1/2.8" 1080p Starlight CMOS sensor
- Up to 1000TVL resolution
- f=2.8 ~ 12mm Vari-Focal Lens  
Angle of view 88.6° - 34.4°
- 20~30M IR illumination range
- IP66 water proof

## AF265

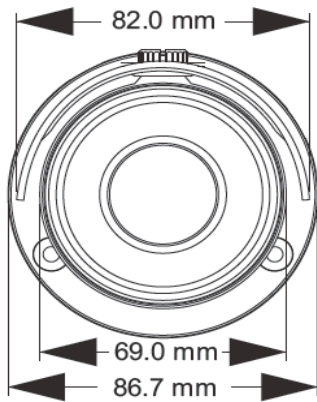
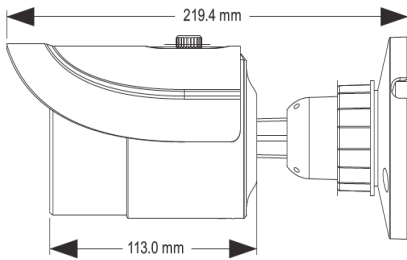
### 1080p Starlight AHD IR Vari-Focal Bullet



MODEL

AF265

Unit: mm



VIDEO

<b>IMAGE SENSOR</b>	1/2.8" 1080p Starlight CMOS
<b>RESOLUTION</b>	1920 x 1080
<b>VIDEO OUTPUT</b>	AHD/TVI/CVI/CVBS (BNC)
<b>FRAME RATE</b>	30fps(60Hz), 25fps(50Hz)
<b>MINIMUM ILLUMINATION</b>	0Lux (IR ON); Color: 0.005Lux / F1.2, AGC ON
<b>IR LED / IR DISTANCE</b>	20~30M
<b>LENS</b>	f=2.8mm ~ 12mm vari-focal lens
<b>ANGLE OF VIEW</b>	88.6° - 34.4°
<b>ELECTRONIC SHUTTER</b>	Auto; 1/25s~1/50000s(PAL); 1/30s~1/50000s(NTSC)
<b>S/N RATIO</b>	≥52dB ( AGC OFF )

FUNCTION

<b>FUNCTION CONTROL</b>	OSD ( COC Control )
<b>DAY &amp; NIGHT</b>	ICR
<b>WDR</b>	Yes(120dB)
<b>DIGITAL NR</b>	Yes ( 3D DNR )
<b>AGC</b>	Yes
<b>AUTO WHITE BALANCE</b>	Yes
<b>BLC</b>	Yes
<b>HLC</b>	Yes
<b>LSC</b>	Yes
<b>SHARPNESS</b>	Yes
<b>BRIGHTNESS</b>	Yes
<b>SMART IR</b>	Yes

POWER

<b>POWER SUPPLY</b>	12VDC
<b>POWER CONSUMPTION</b>	IR OFF : < 1.5W; IR ON : < 4W

OPERATING ENVIRONMENT

<b>AMBIENT TEMPERATURE</b>	- 30 °C ~ 50 °C
<b>RELATIVE HUMIDITY</b>	10% - 90%

MECHANICAL DESIGN

<b>WATER PROOF</b>	IP66
<b>DIMENSION</b>	Φ 87mm x 220mm
<b>WEIGHT</b>	580g

Terms & Conditions 使用細則  
Design and specifications are subject to change without prior notice. Copyright © 2019 Signal Communications Limited.  
TeleEye is a trademark of Signal Communications Limited and is registered in China, European Community, Hong Kong, U.S. and other countries. All other trademarks are the property of their respective owners.