

- 1/2.7" 5MP CMOS sensor
- 4MP(2560x1440) @ 30fps/
5MP(2592x1944) @ 20fps/
- AHD/ TVI/ CVI/ CVBS video output
- Up to 1500TVL resolution
- f=2.8mm lens
- 10~20M IR illumination range
- IP66 weather proof

AF531

5MP AHD IR Fixed Dome



Model

AF531

VIDEO

Image Sensor	1/2.7" 5MP CMOS
Resolution	4MP 2560x1440(Default output) / 5MP 2592x1944
Video Output	AHD / TVI / CVI / CVBS (BNC)
Frame Rate	5MP@20fps / 4MP@30fps
Minimum Illumination	Color : 0.01 lux@F1.2, AGC ON; B/W : 0 lux with IR
IR Distance	10~20M
Lens	f=2.8mm lens
Angle of view	105°
Electronic Shutter	Auto; 1/50s~1/100000s (PAL); 1/60s~1/100000s(NTSC)
S/N Ratio	≥52dB (AGC OFF)

FUNCTION

Function Control	OSD (COC Control)
Day & Night	ICR
Digital WDR	Yes
Digital NR	Yes (2D DNR)
AGC	Yes
Auto White Balance	Yes
BLC	Yes
Mirror Image	Yes
Sharpness	Yes
Smart IR	Yes
Image Setting	Yes

POWER

Power Supply	12VDC
Power Consumption	IR OFF : < 1W; IR ON : < 3W

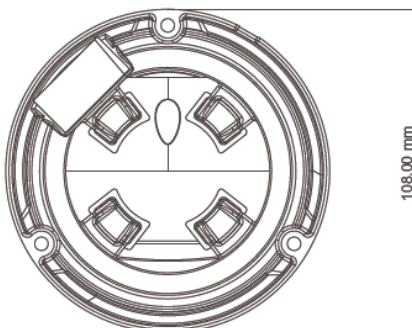
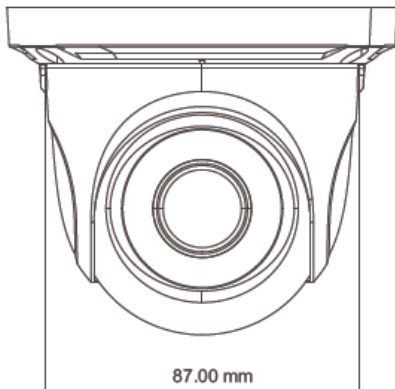
OPERATING ENVIRONMENT

Ambient Temperature	- 30 °C ~ 50 °C
Relative Humidity	10%-90%

MECHANICAL DESIGN

Weather Proof	IP66
Dimension	Φ 87mm x 108mm
Weight	360g

Unit: mm



Terms & Conditions 使用細則
Design and specifications are subject to change without prior notice. Copyright © 2018 Signal Communications Limited.
TeleEye is a trademark of Signal Communications Limited and is registered in China, European Community, Hong Kong, U.S. and other countries. All other trademarks are the property of their respective owners.