



AF266

1080p Starlight AHD IR Vari-Focal Bullet

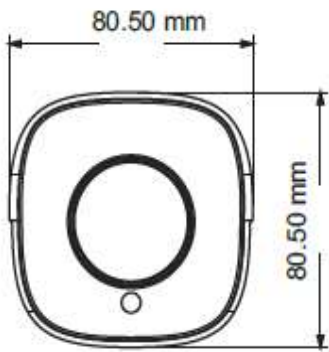
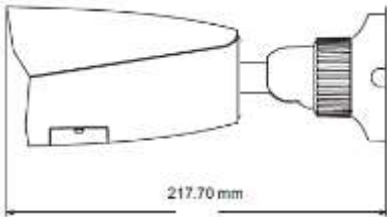
- 1/2.8" 2MP Starlight CMOS sensor
- Up to 1000TVL resolution
- f=2.8-12mm Vari-Focal Lens
Angle of view 88.6°- 34.4°
- 20~50M IR illumination range
- IP67 weather proof



MODEL

AF266

Unit: mm



VIDEO

IMAGE SENSOR	1/2.8" 2MP Starlight CMOS
RESOLUTION	1920 x 1080
Video Output	AHD/TVI/CVI/CVBS (BNC)
Frame Rate	30fps(60Hz), 25fps(50Hz)
Minimum Illumination	0Lux (IR ON); Color: 0.005Lux / F1.2, AGC ON;
IR LED / IR Distance	20~50M
Lens	f=2.8mm ~12mm vari-focal lens
Angle of view	88.6°- 34.4°
Electronic Shutter	Auto; 1/25s~1/50000s(PAL); 1/30s~1/50000s(NTSC)
S/N Ratio	≥52dB (AGC OFF)

FUNCTION

Function Control	OSD (COC Control)
Day & Night	ICR
WDR	Yes(120dB)
Digital NR	Yes (3D DNR)
AGC	Yes
Auto White Balance	Yes
BLC	Yes
HLC	Yes
LSC	Yes
Sharpness	Yes
Brightness	Yes
Smart IR	Yes

POWER

Power Supply	12VDC
Power Consumption	IR OFF: < 1.5W; IR ON: < 6W

OPERATING ENVIRONMENT

Ambient Temperature	- 30 °C ~ 50 °C
Relative Humidity	10%-90%

MECHANICAL DESIGN

Weather Proof	IP67
Dimension	80.5mm x 80.5mm x 218mm
Weight	630g

Terms & Conditions 使用細則

Design and specifications are subject to change without prior notice.
Copyright © 2020 Signal Communications Limited. TeleEye is a trademark of Signal Communications Limited and is registered in China, European Community, Hong Kong, US. and other countries. All other trademarks are the property of their respective owners.



TeleEye Group
Hong Kong China Malaysia Philippines
South Africa Sri Lanka United Kingdom