



Features

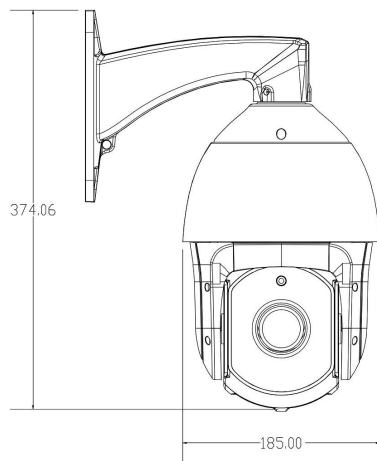
- 1/2.8" 2MP Sony CMOS Sensor
- 33x Optical Zoom
- Resolution: 1080p
- Day/Night (ICR), Auto iris, Auto focus, AWB
- Max. 200°/s pan 180°/s tilt speed
- Up to 128 presets
- Pan: 360° endless rotation, Tilt: 90° with auto flip
- IR Distance Up to 120M

Specifications

MODEL		AF6132A
VIDEO	IMAGE SENSOR	1/2.8" 2MP Sony CMOS Sensor
	RESOLUTION	1080p 25/30fps
	MINIMUM ILLUMINATION	Color: 0.05lux, BW: 0.005lux
	LENS	33x optical zoom f =4.6mm-152mm
	ANGLE OF VIEW	66.1° (W) ~2.46° (T)
	S/N RATIO	≥50dB
	VIDEO OUTPUT	1080p AHD / CVBS
	IR DISTANCE	120M,
Function	OSD MENU	Built-in
	VIDEO SETTING	Bright(0-31), Contrast(0-31), Sharpness(0-31), Saturation(0-31)
	D/N MODE	Manual / Auto
	White Balance	Auto
	IRIS	Auto
	OPERATION ANGLE	Pan 0°~360° with continuous rotation; tilt 0°~90°
	MANUAL SPEED	Pan: 0.1°~200°/s; Tilt: 0.1°~180°/s
	PRESET SPEED	200°/s
	PRESET	128 Presets
	SCAN	355° programmable, 4 scans
	TOUR	4 tours, and speed & park time of presets can be set.
	PATTERN	4 patterns, and each record time is not less than 180s
	DISPLAY ZONE	8 programmable zones
	PROTOCOLS	Pelco-P/D (fully compatible) / COC(AHD 1080p)
COMMUNICATION	RS485 (Baud rate 2400 / 4800 / 9600 / 19200bps)	
POWER	VOLTAGE	24VDC
	MAX. RATING	35W
OPERATING ENVIRONMENT	AMBIENT TEMPERATURE	-20°C ~ 60°C
	RELATIVE HUMIDITY	0%-95%
MECHANICAL DESIGN	PROTECTION GRADE	4000V Lighting-proof and Surge-proof
	WEATHER PROOF STANDARD	IP66
	WEIGHT	3.6kg

Dimension

Unit: mm



TeleEye Group

Hong Kong China Malaysia Philippines
South Africa Sri Lanka Turkey U.K.

DISTRIBUTED BY:

www.TeleEye.com