



### Features

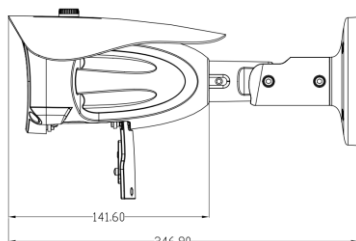
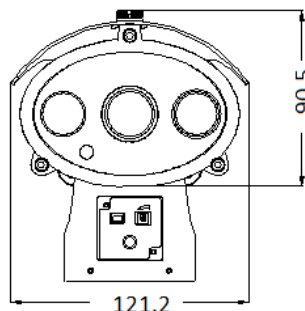
- 1080p HD IR Vari-Focal camera
- 1/2.8" SONY CMOS sensor, 30fps
- H.264 compression
- 2 independent video streams
- f=2.8mm ~ 12mm vari-focal lens
- ~25m IR illumination range
- IP66 weather proof
- Power over Ethernet, PoE
- ONVIF Profile S

### Specifications

| MODEL                 |                      | MQ275E-HD   |
|-----------------------|----------------------|---|
| VIDEO                 | IMAGE SENSOR         | 1/2.8" SONY CMOS Sensor   |
|                       | RESOLUTION           | 1920 x 1080 (1080p)   |
|                       | FRAME RATE           | Up to 30fps   |
|                       | MINIMUM ILLUMINATION | 0.0 Lux, IR ON, ~25m  |
|                       | LENS                 | f=2.8mm ~ 12mm  |
|                       | VIEW ANGLE           | 31-95 degree  |
|                       | ELECTRONIC SHUTTER   | Auto / Manual   |
|                       | VIDEO SETTINGS       | Brightness / Contrast / Saturation / Mirroring / Exposure / White Balance / Flickerless Control / Sharpness / WDR / Noise Reduction |
| AUDIO                 | INPUT                | 1CH   |
|                       | OUTPUT               | 1CH   |
| CONNECTIVITY          | NETWORK INTERFACE    | RJ-45   |
|                       | CONCURRENT USERS     | 4   |
|                       | WEB SERVER           | Built-in  |
|                       | ONVIF                | Profile S   |
| COMPRESSION           | VIDEO COMPRESSION    | H.264, JPEG   |
|                       | VIDEO STREAMING      | Dual Stream   |
| EVENT HANDLING        | PRIVACY ZONE         | 4   |
|                       | SNAP SHOT            | JPEG  |
|                       | ACTION               | Recording, Alarm Output, Emails snapshot  |
|                       | MOTION DETECTION     | Yes   |
|                       | ALARM INPUT          | 2   |
|                       | RELAY SWITCH         | 1   |
| EDGE RECORDING        | ON-BOARD STORAGE     | Max 64GB MicroSD  |
| POWER                 | POWER IN             | 12V DC / PoE  |
|                       | MAX. RATING          | 9W  |
| OPERATING ENVIRONMENT | AMBIENT TEMPERATURE  | -20°C - 55°C  |
|                       | RELATIVE HUMIDITY    | 0 ~ 90%   |
| MECHANICAL DESIGN     | WEATHER PROOF        | IP66  |
|                       | DIMENSIONS           | 121.2 x 90.5 x 246.9mm  |
|                       | NET WEIGHT           | 935g  |

### Dimension

Unit: mm



### TeleEye Group

Hong Kong Bangladesh China Malaysia  
Philippines South Africa Sri Lanka Turkey U.K.

DISTRIBUTED BY: