



### Features

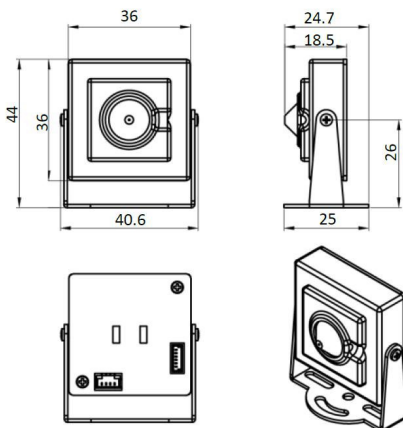
- 1/3.2" Sony WDR STARVIS CMOS sensor
- Color: 820TVL, B/W: 850TVL
- Color: 0.05Lux / F1.4, B/W: 0.03Lux / F1.4
- f=2.5mm Pinhole lens
- Powerful WDR (75dB)
- Auto Defog / Privacy Zone Mask
- High Light Compensation (HLC)
- Y/C Digital Noise Reduction
- Auto Flicker-less

### Specifications

MODEL		PF183Z
VIDEO	IMAGE SENSOR	1/3.2" Sony WDR STARVIS CMOS
	RESOLUTION	1280(H) x 960(V) Color: 820TVL, B/W: 850TVL
	VIDEO OUTPUT	50/60 fps / 1.0Vp-p Composite, 75ohm(BNC)
	MINIMUM ILLUMINATION	Color: 0.05Lux / F1.4, B/W: 0.03Lux / F1.4
	LENS	f=2.5mm/F2.2 Pinhole Fixed lens
	VIEW ANGLE	88
	ELECTRONIC SHUTTER	Auto (1/50(60)~1/10000(S))/ Manual (1/50(60)~1/10000(S))
	SIGNAL TO NOISE RATIO	More than 55dB(AGC off)
	WIDE DYNAMIC RANGE	75dB
	FUNCTION	OSD MENU
DAY/NIGHT MODE		Day / Night / Auto
AUTOMATIC GAIN CONTROL		Auto (10Steps)
WHITE BALANCE		ATW / Push / User1 / User2 / Manual / push lock
BACK LIGHT COMPENSATION		HLC / BLC / Off
DEFOG		Auto / Off
DIGITAL NOISE REDUCTION		Y / C DNR (Level 1~7)
PRIVACY ZONE		On / Off (16 Zones Programmable, Mosaic)
POWER	VOLTAGE	12VDC
	MAX. RATING	0.75W
OPERATING ENVIRONMENT	AMBIENT TEMPERATURE	-10°C ~ 50°C
	RELATIVE HUMIDITY	Max. RH80%
MECHANICAL	DIMENSION	41(W) x 44(H) x 25(D) mm
DESIGN	WEIGHT	95g

### Dimension

Unit: mm



**TeleEye Group**  
Hong Kong China Malaysia Philippines  
South Africa Sri Lanka Turkey U.K.

DISTRIBUTED BY:

[www.TeleEye.com](http://www.TeleEye.com)