

NX301 Network Video Server

Transforming analogue camera for IP or mobile surveillance



Powered by



Features:

- SMAC-M Multi-stream Video Coding Technology
- 1 video in, 1 audio in/out, 1 alarm in/out, 1 RS485 out
- USB connection for mobile data modem
- Power output for DC 12V camera
- Video management & recording with TeleEye sureREC
- Supports dynamic IP with sureLINK
- Mobile video monitoring with M-303 & iView
- Power over Ethernet (PoE)

NX599 Professional 36X Day / Night Network Speed Dome

IP-based high speed dome for all round surveillance



Features:

- Optical zoom: 36X, Digital zoom: 12X
- 128 presets, 6 patrols & 3 patterns
- Day / Night minimum illumination: 0.01 Lux
- 8 privacy zone maskings
- IP66 Weather Proof standard
- Supporting mobile phone viewing



Video Management Software

TeleEye NX Series can work with different TeleEye software to form a complete IP and mobile surveillance system.

TeleEye sureSIGHT Integrated Video Management Solution is an integrated video management platform for IP cameras and video recording servers.

Features:

- Single-workstation solution
- Fully compatible with all TeleEye RX, CX, NX and MX products
- Displays up to 64 cameras & Comprehensive event logs
- Work with TeleEye sureREC Video Recording Software to form a complete video recording and management solution



TeleEye sureSIGHT

TeleEye sureREC can form a complete video recording and management solution with TeleEye sureSIGHT Integrated Video Management Solution.



TeleEye sureREC

Features:

- No compromise on HD quality video recording & network viewing performance
- Independent HD quality recording stream, resolution & frame rate settings
- Recording HD quality video from up to 64 TeleEye MX devices on one PC
- Maximum recording frame rate: 400fps at HD quality, 400fps at VGA and 1600fps at QVGA
- Supports standard data redundancy solution, e.g. RAID
- Live viewing from up to 16 TeleEye MX or NX devices on one PC
- Supports TeleEye MX and NX Series

TeleEye Mobile Monitoring Solution (M-303) and iView for iPhone deliver excellent remote video surveillance with your mobile phone while you are on the move.

Features:

- Video transmission on Wi-Fi, HSDPA, 3G, EDGE or GPRS
- Telemetry control & event reporting
- Optimized mobile video stream & Password protection



TeleEye iView



TeleEye M-303

3G
GPRS

Simultaneous Multi-site Monitoring on Internet & Mobile Network



Specifications

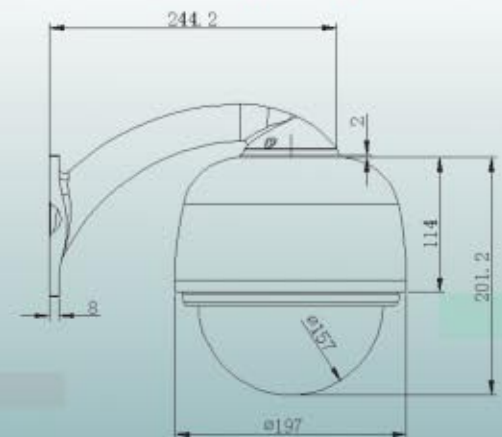
MODEL	NX301	NX599
	VIDEO AND AUDIO	
IMAGE SENSOR	-	1/4" colour CCD
RESOLUTION	(P): 720 x 576, 360 x 288; (N): 720 x 480, 360 x 240	
MINIMUM ILLUMINATION	-	Day: 0.1 Lux; Night: 0.01 Lux (F=1.6)
LENS	-	f=3.4 - 122.4 mm; Optical: 36X / Digital:12X
VIDEO INPUT	PAL / NTSC (auto)	-
AUDIO INPUT & OUTPUT	1 channel, RCA, line level	-
AUDIO BIT RATE	7.2 / 32kbps	-
VIDEO REFRESHING FRAME RATE	25 / 30fps	
	TELEMETRY	
RS485 OUTPUT	Yes	-
PRIVACY ZONE MASKING	-	On / Off, 8 masks
AUTO RUN	-	128 Presets, 6 Patrols, 3 Patterns
	CONNECTIVITY	
NETWORK INTERFACE	Ethernet (RJ-45 Wired, 10/100 Base-T)	
NETWORK PROTOCOL	TCP/IP, DHCP, HTTP, SNTp, DNS, SMTP	
CONCURRENT USERS	6	
WEB SERVER	Built-in	
USB INTERFACE	USB 2.0, 480Mbps	-
	VIDEO COMPRESSION	
COMPRESSION	SMAC-M Multi-stream	
	EVENT HANDLING	
EVENT ACTION	External alarm, motion detection, video loss	
ALARM INPUT	Dial back, email, relay switch	Dial back, email
RELAY OUTPUT	1	-
	POWER	
POWER RATING	12V DC, 12W (max)	AC 24V, 47W (max)
POWER OVER ETHERNET	Yes	-
POWER OUT	Yes (12V DC, 500 mA)	-
	OPERATING ENVIRONMENT	
AMBIENT TEMPERATURE	0°C - 50°C	-22°C - 60°C
RELATIVE HUMIDITY	< 85% (no condensation)	-
	MECHANICAL DESIGN	
DIMENSION	164mm (L) x 88mm (W) x 50mm (H)	-
NET WEIGHT (KG)	0.45	3.6

PC Requirements

	sureSIGHT Lite	sureSIGHT Business	sureSIGHT Pro*	sureREC
CPU	Intel® Core™ i3 Processor			
RAM	2 GB or above			
HDD	10 GB of free space or above			
DISPLAY	Direct 3D, Nvidia® GeForce® GT 220 / ATI® Radeon® HD 5450 or above			
OS	MS Windows XP / Vista / 7 or MS Windows 2008 R2 (64-bit edition)			MS Windows 7 or MS Windows 2008 R2 (64-bit edition)

* For the siteMATRIX for sureSIGHT Pro. Multi-display graphic card is required. E.g) Nvidia® Quadro® NVS 450 or above

Dimension (mm)



NX599



TeleEye Group
Hong Kong (Head Office)
 Signal Communications Limited

China Tel: (86) 755 2671 2122 Email: info@TeleEye.com.cn
Singapore Tel: (65) 6745 3921 Email: sales@TeleEye.com.sg
U.K. Tel: (44) 1628 776061 Email: info@TeleEye.co.uk
Croatia Tel: (385) 52-383102 Email: info@TeleEye.hr
Sri Lanka Tel: (94) 11-2695652-4 Email: info@TeleEye.com.lk

Units 202-3, 2/F, Laford Centre, 838 Lai Chi Kok Road, Kowloon, Hong Kong
 International: (852) 2995 5996 Hong Kong: (852) 2995 5992
 Fax: (852) 2995 5901 Email: info@TeleEye.com

Macau Tel: (853) 28575933 Email: info@TeleEye.com.mo
Philippines Tel: (632) 3650897 Email: contact@TeleEye.com.ph
Mauritius Tel: (230) 686 5238 Email: info@TeleEye.com.mu
South Africa Tel: (27) 11 557 9200 Email: info@TeleEye.co.za