

MP5121E

12 MP Fisheye Network Camera

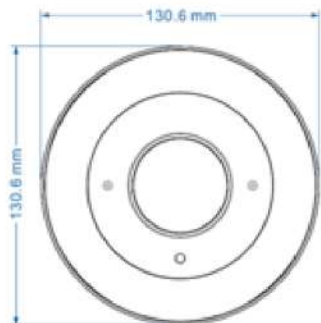
TeleEye 360° round view Fisheye camera provides the greater surveillance and situational awareness. Fisheye camera can integrate with different professional video management applications, and the video will be automatically adjusted to fit into them. Thus, users can monitor their sites in real-time or playback mode. Plus, users can follow objects and actions in 4 regional views through PTZ functionality resulting in a greater freedom of monitoring view.

- 12MP CMOS sensor
- Max. resolution: 3000 × 3000
- H.265 / Enhanced H.264 compression
- 180° horizontal viewing angle, 360° round view
- 10-20M IR distance
- Micro SD card slot, max 128GB
- Power over Ethernet
- IP66



Model

MP5121E-HD



VIDEO	IMAGE SENSOR	1/1.7" Progressive Scan CMOS
	MAX. RESOLUTION	3000 x 3000 @ 25 / 30fps,
	MINIMUM ILLUMINATION	0.02/0 Lux, IR on
	LENS	1.65mm @F2.0
	VIEW ANGLE	180 (wall mounting) 360 (ceiling mounting) 360 (desktop)
AUDIO	ELECTRONIC SHUTTER	1 / 3 s ~ 1 / 100000 s
	VIDEO SETTINGS	ROI, Saturation, Brightness, Chroma, Contrast, Wide Dynamic, Sharpen, NR, etc.
	ANALOG OUTPUT	CVBS video output (BNC × 1)-
	VIDEO COMPRESSION	H.265 / Enhanced H.264
CONNECTIVITY	INPUT	External input ×1 or one built-in microphone ×2
	OUTPUT	X1
	NETWORK INTERFACE	RJ-45
	NETWORK PROTOCOL	UDP, IPv4, IPv6, DHCP, NTP, RTSP, RTP, RTCP, RTMP, SNMP, PPPoE, DDNS, 802.1x, SMTP, FTP, UPnP, HTTP, HTTP, QoS, P2P, HTTP POST
EVENT HANDLING	CONCURRENT CONNECTION	6
	WEB SERVER	Built-in
	ON V I F	Yes
	RS4 8 5	Yes
EDGE RECORDING	ALARM INPUT	X1
	ALARM OUTPUT	X1
POWER	MICRO SD Card	Max. 256GB
	VOLTAGE	12VDC
OPERATING ENVIRONMENT	MAX. RATING	10.5 W
	POE	Yes, IEEE802.3af
	AMBIENT TEMPERATURE	-30°C ~ 60°C
	RELATIVE HUMIDITY	Humidity 95% or less (non-condensing)
MECHANICAL DESIGN	WEATHER PROOF	IP67
	DI M E N S I O N	Φ131mm × 47mm
	WEIGHT (kg)	520g

Terms & Conditions 使用細則

Design and specifications are subject to change without prior notice. Copyright © 2024 Signal Communications Limited. TeleEye is a trademark of Signal Communications Limited and is registered in China, European Community, Hong Kong, U.S. and other countries. All other trademarks are the property of their respective owners.